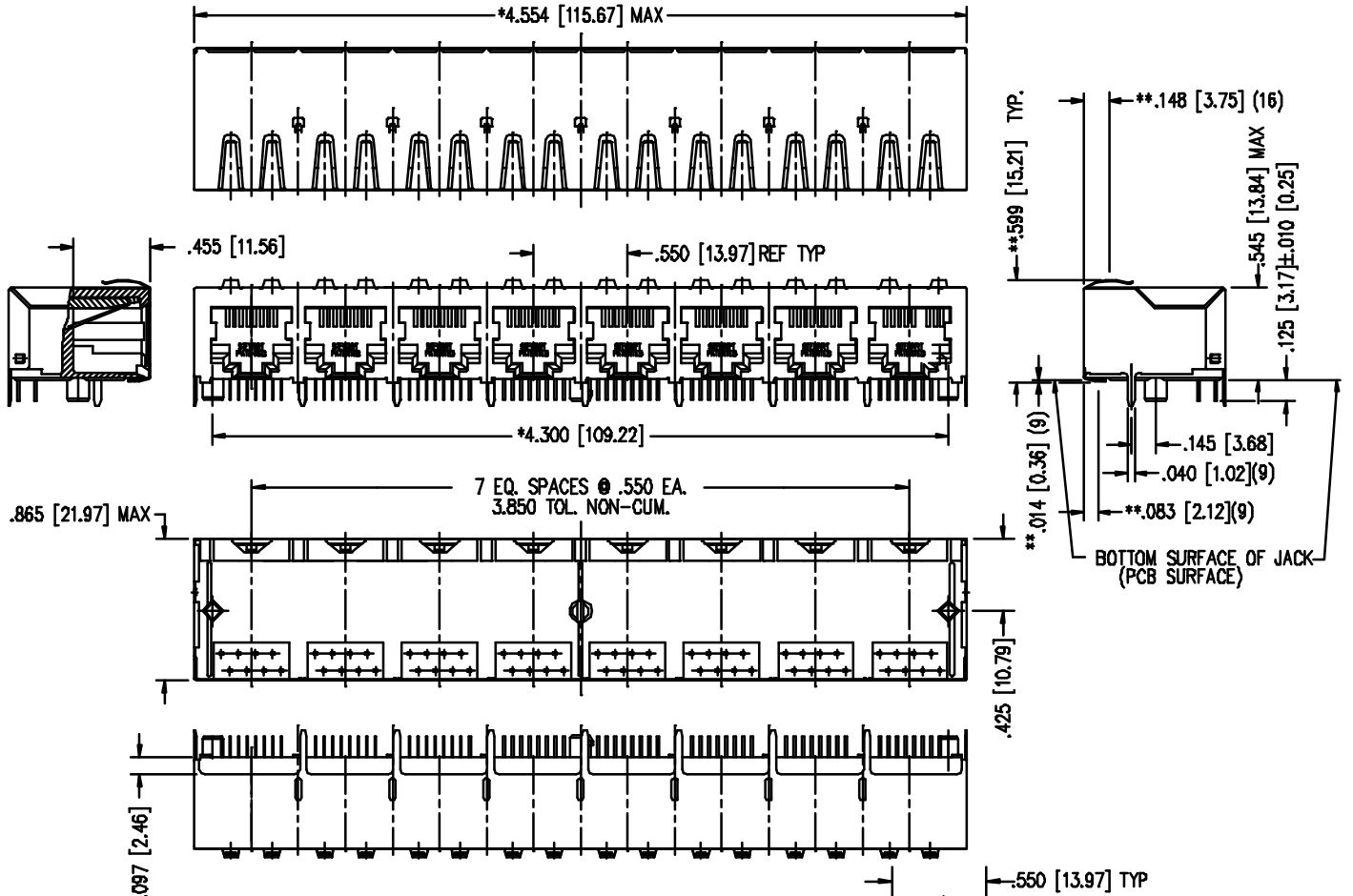


REV.	REVISION CHANGES
X0	AS DRAWN

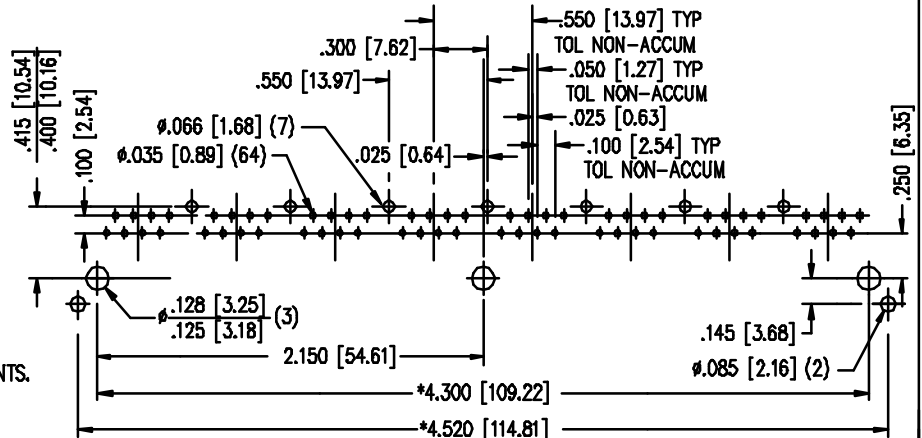
PART NO. SS-668808S-A-PG1-BC

EMI-RFI ONE PIECE SHIELDED, ESD GROUNDED
 8 PORT PCB HARMONICA JACK PAC



FOR REFERENCE ONLY

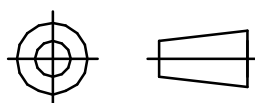
- NOTES:
- "BC" DESIGNATES INCLUSION OF ALL TOP AND BOTTOM PANEL GROUNDS, WITH ALL REAR AND SIDE SOLDER TAILS PRESENT.
 - "PG4" DESIGNATES INCLUSION OF ALL SIDE PANEL GROUNDS.
 - TOLERANCES COMPLY WITH F.C.C. DIMENSION REQUIREMENTS.
 - DIMENSIONS SHOWN WITH "*" TO BE CENTRAL ABOUT CENTER LINE.
 - "*" ON DIMENSION INDICATES HIGHEST POINT OF BEAM.
 - DIMENSIONS SHOWN ARE SUBJECT TO CHANGE WITHOUT NOTICE.



P.C.B. RECOMMENDED HOLE LAYOUT
 SEEN FROM COMPONENT SIDE
 TOLERANCE ±.003 [0.08] UNLESS OTHERWISE SPECIFIED

- AVAILABLE WITH:
- 30 & 50 MICRO-INCH SELECTIVE GOLD PLATING
 - LOADED 1 - 8 CONTACTS

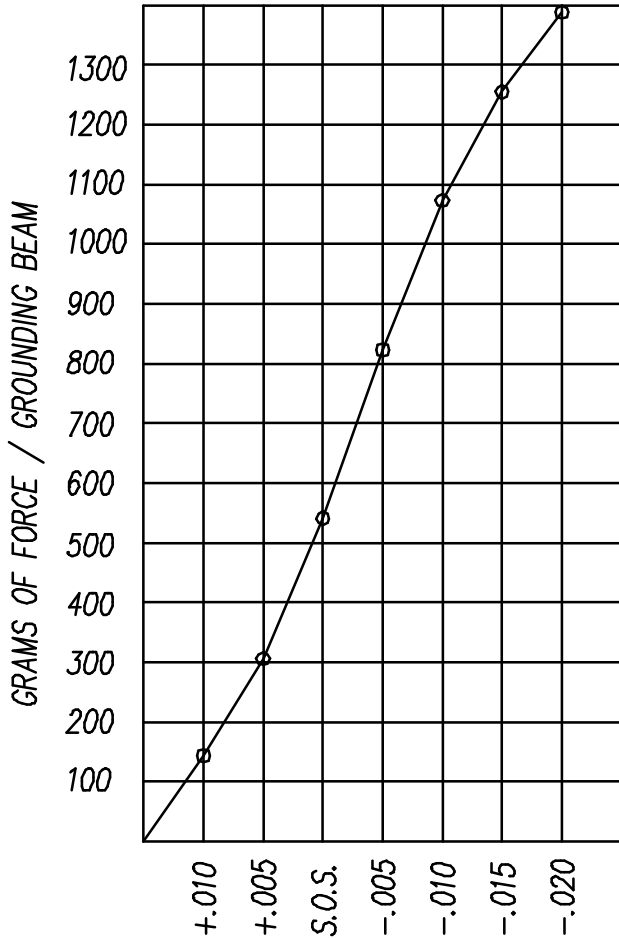
THIRD ANGLE PROJECTION



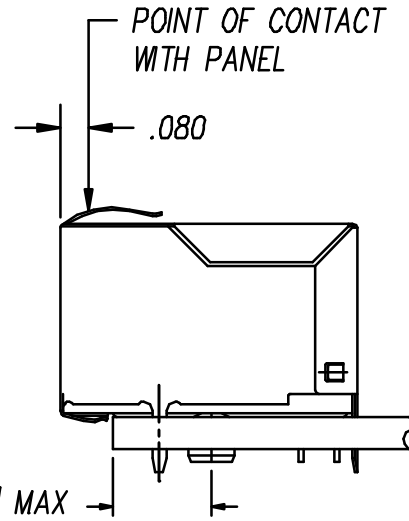
THIS DRAWING AND THE SUBJECT MATTER SHOWN THEREON ARE CONFIDENTIAL AND THE PROPRIETARY PROPERTY OF STEWART CONNECTOR SYSTEMS ("SCS") AND SHALL NOT BE REPRODUCED, COPIED OR USED IN ANY MANNER WITHOUT PRIOR WRITTEN CONSENT OF "SCS". THE SUBJECT MATTER MAY BE PATENTED OR A PATENT MAY BE PENDING. © SCS

REV.	REVISION CHANGES
X0	AS DRAWN

PART NO. SS-668808S-A-PG1-BC

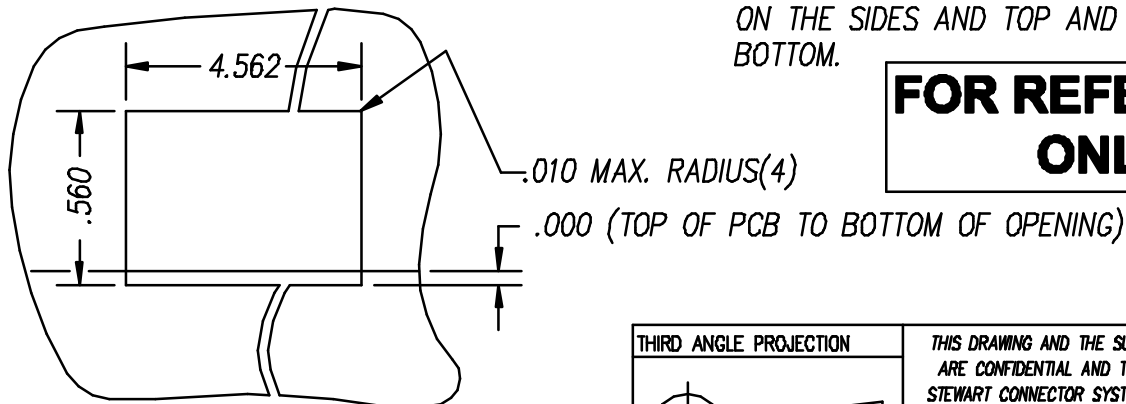


PANEL GROUNDING BEAM DEFLECTION
 S.O.S. = SUGGESTED OPENING SIZE



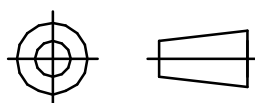
THE SUGGESTED PANEL OPENING IS INTENDED TO GIVE THE USER THE ABILITY TO HAVE REASONABLE JACK / PANEL CLEARANCES YET MAINTAIN RELIABLE GROUNDING CAPABILITY. THESE VARIABLES CAN BE ADJUSTED IN EITHER DIRECTION BUT MAY CARRY SOME CONSEQUENCES IN THE FORM OF LOWER MATING FORCES OR TIGHTER ASSEMBLY TOLERANCES. FORCE VALUES ON THE GRAPH ARE GENERAL AVERAGES TAKEN AT THE POINT OF CONTACT SHOWN ABOVE. THE SUGGESTED PANEL OPENING INCLUDES APPROXIMATELY .020 CLEARANCE ON THE SIDES AND TOP AND .005 ON THE BOTTOM.

FOR REFERENCE ONLY



SUGGESTED PANEL OPENING

THIRD ANGLE PROJECTION



THIS DRAWING AND THE SUBJECT MATTER SHOWN THEREON ARE CONFIDENTIAL AND THE PROPRIETARY PROPERTY OF STEWART CONNECTOR SYSTEMS ("SCS") AND SHALL NOT BE REPRODUCED, COPIED OR USED IN ANY MANNER WITHOUT PRIOR WRITTEN CONSENT OF "SCS". THE SUBJECT MATTER MAY BE PATENTED OR A PATENT MAY BE PENDING. © SCS